



**PRODUCT
CATALOG**

STEEL STRUCTURES FOR INDUSTRY

WHO WE ARE?

We are a company boasting 30 years of activity, engaging in projects related to the manufacture of steel structures.

Our offer is addressed to customers requiring high quality of machining and welding. We realise individual customer orders based on specific technical documentation. Close and regular cooperation with OEMs gives us the possibility to offer comprehensive solutions for final users in mining, building, power and road building industry.

Historically, the company operated as a production facility for the most internationally prominent German and American manufacturers of mining equipment – DBT and Bucyrus.

We supplied our steel structures to the largest transport, road building and mining companies in Australia, India, Czech Republic, Germany, France, Norway and Sweden.



WE OFFER

- COMPLETE LONGWALL SUPPORT UNITS
- STAGE LOADERS AND ARMORED FACE CONVEYORS (AFC)
- ELEMENTS OF TRANSPORT SYSTEMS (SUSPENDED MONORAILS)
- BELT CONVEYORS AND SPARE PARTS
- OVERHAULS AND REPAIRS OF THE A.M. MACHINES AND COMPONENTS
- REPAIR OF FLEXIBLE MINING CABLES
- STEEL COMPONENTS OF MACHINES AND DEVICES
- STEEL SHEET CUTTING, BEVELLING, BENDING, WELDING, MACHINING
- 3D SCANNING

KONKO S.A.
Company seat and production facilities



PRODUCTION CAPACITY



6000

M² OF PRODUCTION AREA



3600

TONNES OF STEEL STRUCTURES PER YEAR



150

TECHNICAL EMPLOYEES



30

TONNES – MAXIMUM WEIGHT OF SINGLE STRUCTURE



40

WELDING STANDS



15

ASSEMBLY STANDS



4

PRODUCTION HALLS



1

3D SCANNER

MACHINE PARK



1

PLASMA CUTTER CNC 3D



3

BEVELLING TABLES



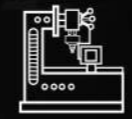
3

RADIAL BORING MACHINES



19

JIB CRANES 0,5-2 T



14

MACHINE TOOLS



1

ROBOTISED BEVELLING STATION



3

OXY-GAS CUTTERS



4

HYDRAULIC PRESSES



9

SWL GANTRY CRANES



40

WELDING MACHINES

PRODUCTS FOR MINING

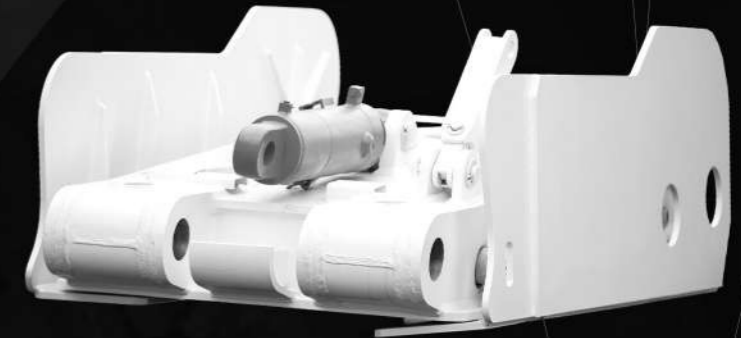
We offer a convenient and flexible model of cooperation, which involves the customer in the process of creating the final product at both the conceptual-construction and production stages.

With this approach, we are confident that the combination of our technical expertise, unique know-how, advanced manufacturing capabilities and the customer's needs and expectations results in a solution closely matching the customer's requirements.

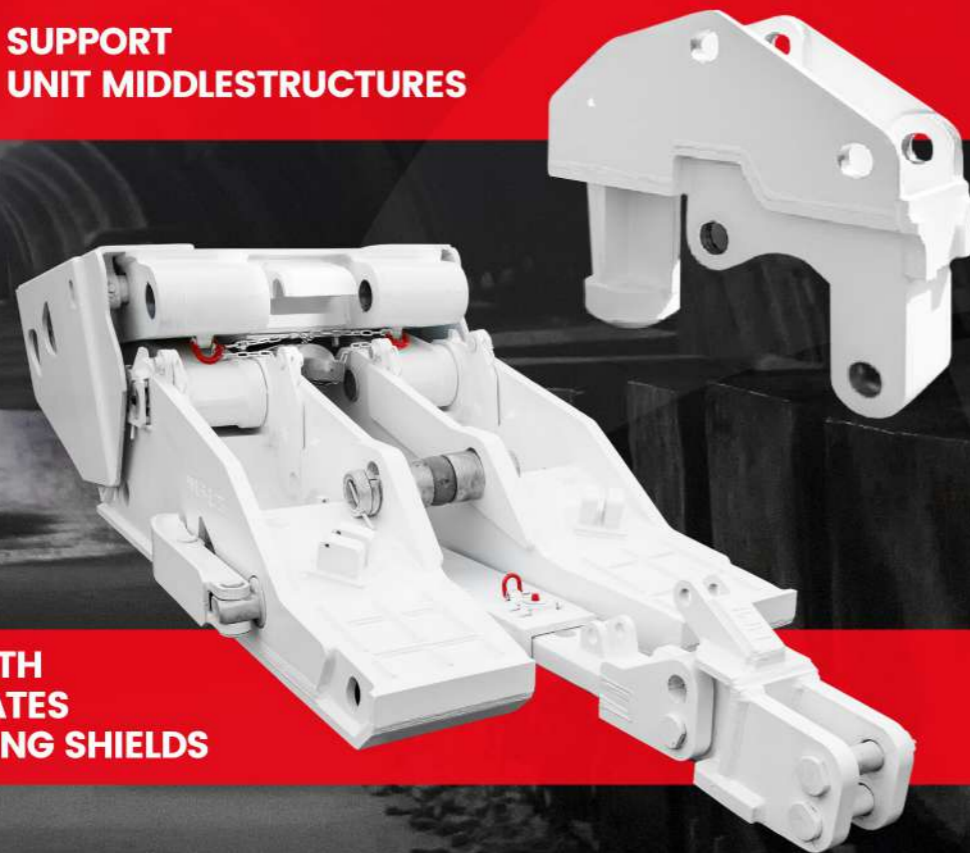
HYDRAULIC LEGS FOR LONGWALL SUPPORT UNITS



CONVEYOR DRIVE UNDERSTRUCTURES



SUPPORT UNIT MIDDLESTRUCTURES



CAVING SHIELDS OF MECHANISED LONGWALL SUPPORT UNITS

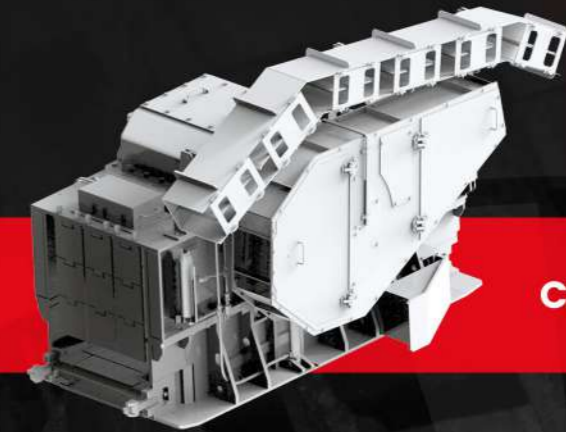


BASES WITH LEMNISCATES AND CAVING SHIELDS

MECHANISED LONGWALL SUPPORTS

PRODUCTS FOR MINING

LINE PANS OF STAGE LOADERS, WIDTH 1240 mm



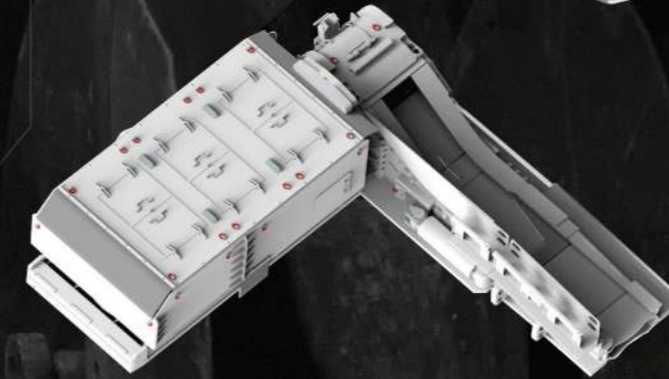
CRUSHERS



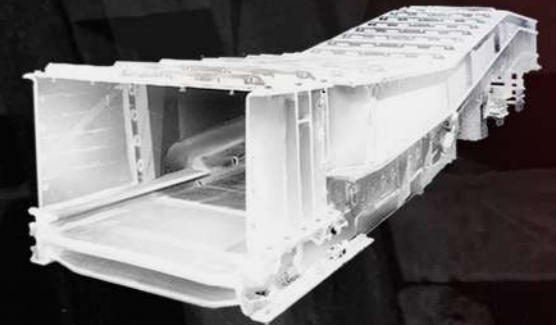
PANS



CANOPIES



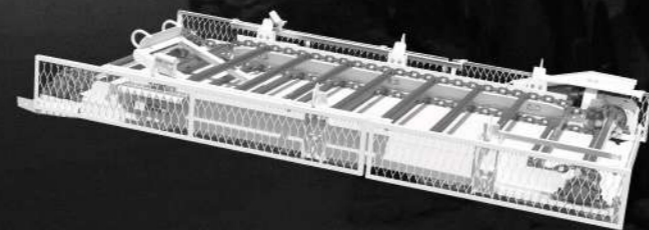
COMPLETE DRIVE ASSEMBLIES OF FACE CONVEYORS AND STAGE LOADERS



STAGE LOADERS



HEADING MACHINE'S DUST EXTRACTION DUCTS



BELT CONVEYOR'S CLEANING STATIONS



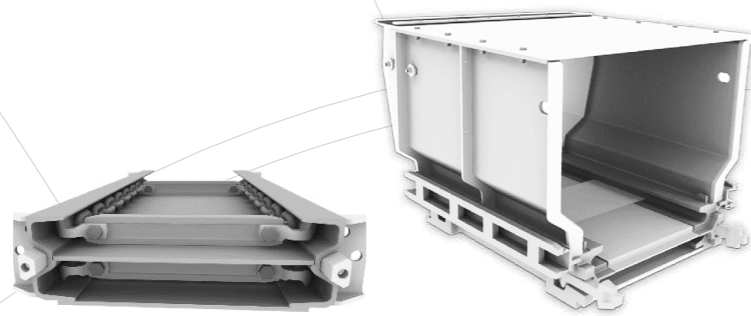
LIGHT CONVEYORS



BELT CONVEYORS' DISCHARGE STATIONS

STAGE LOADERS

- Universal solutions – cast and rolled profile systems; profile height range – from 150 to 360 mm,
- Conveyor pan width – from 500 to 1240 mm,
- Ability to ensure compatibility with most third-party solutions,
- Height optimization through the possibility of using super flat chains (mainly produced by FASING S.A.),
- The use of wear-resistant top plates up to 60 mm thick and bottom plates up to 30 mm thick,
- Up to 3000 kW of power can be applied.



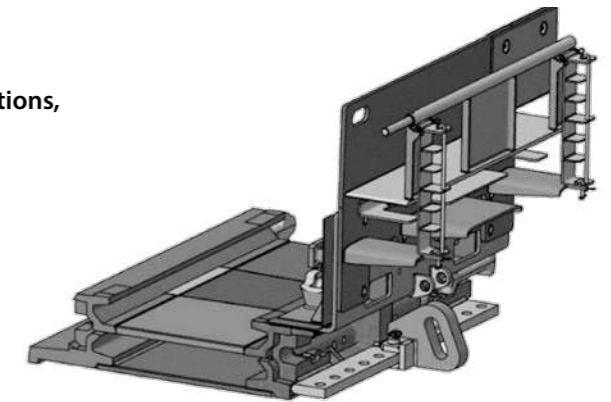
KPZP

Stage loader specification

Type of conveyor	Pan profile [mm]	Pan width [mm]	Top plate [mm]	Chain size [mm]	Max. capacity [t/h]	Max. conveyor length [m]
KPZP 1100	330/360 Cast or rolled	ca. 1100	50	2x48/115x152C 2xØ42x146(P) 2xØ38x137(P) 2xØ38x137	3200	80
KPZP 850	265/280 Cast or rolled	ca. 850	40-45	2xØ38x126(P) 2xØ34x126 2xØ30x108	2000	80
KPZP 750	230/280 Cast or rolled	ca. 750	30-45	2xØ30x108	1600	100
KPZP 500	150/190 Rolled	ca. 500	30-45	2xØ18x64	500	200

ARMORED FACE CONVEYORS (AFCs)

- Universal solutions – cast and rolled profile systems; profile height range – from 230 to 360 mm,
- Conveyor pan width – from 750 to 1240 mm,
- Ability to ensure compatibility with most third-party solutions,
- Height optimization through the possibility of using super flat chains (mainly produced by FASING S.A.),
- The use of wear-resistant top plates up to 60 mm thick and bottom plates up to 30 mm thick,
- Up to 3000 kW of power can be applied.

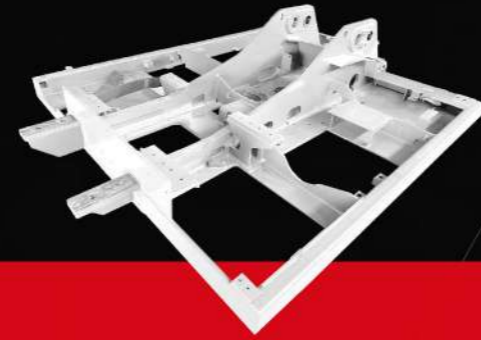


KPZS

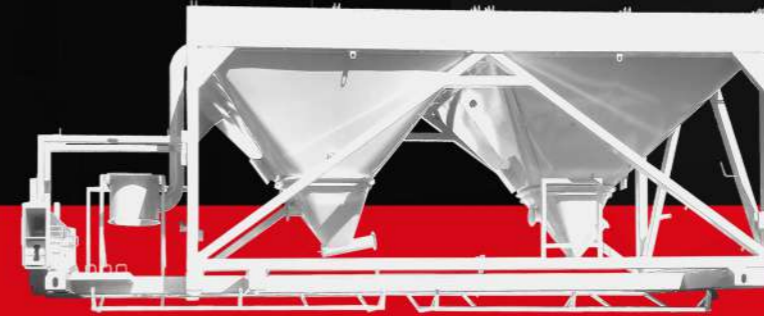
Armored face conveyor specification

Type of conveyor	Pan profile [mm]	Pan width [mm]	Top plate [mm]	Chain size [mm]	Max. capacity [t/h]	Max. conveyor length [m]	Discharge type
KPZS 1100	330/360 Cast or rolled	ca. 1100	50	2x48/115x152C 2xØ42x146(P) 2xØ38x137(P) 2xØ38x137	3000	400	Side, head and cross discharge
KPZS 850	265/280 Cast or rolled	ca. 850	40-45	2xØ38x137(P) 2xØ38x126(P) 2xØ34x126	1750	400	Side, head and cross discharge
KPZS 750	230/280 Cast or rolled	ca. 750	30-45	2xØ38x126(P) 2xØ34x126(P) 2xØ34x126 2xØ30x108	1400	400	Side, head and cross discharge

PRODUCTS FOR OTHER INDUSTRIES



FRAMES OF EXCAVATORS AND OTHER CONSTRUCTION MACHINERY



TORCRETING MACHINES PARTS



WORK PLATFORMS



COMPRESSOR CASINGS



GANTRY CRANE RUNWAY BEAMS



HEADS FOR CONTROLLED DRILLING



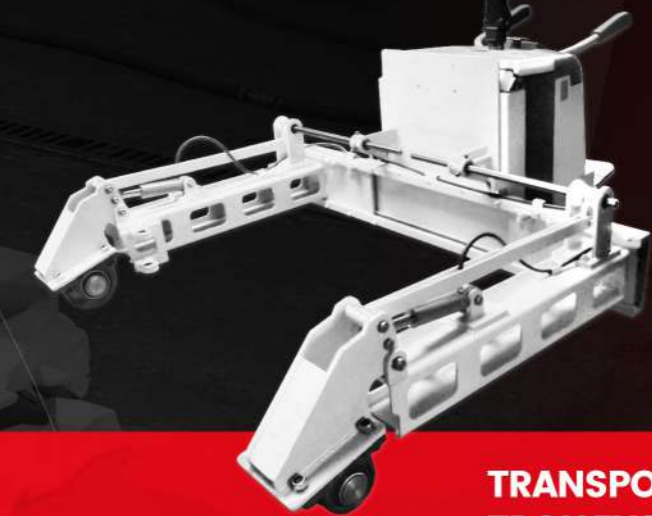
CONTAINERS



PORT CRANE TROLLEYS



EXCAVATOR ARMS



TRANSPORT TROLLEYS

KONKO S.A.

Fabryczna 6,
41-404 Mysłowice, Poland

CONTACT

+ 48 (32) 317 05 50
konko@konko.pl



WWW.KONKO.PL/EN

SOCIAL 